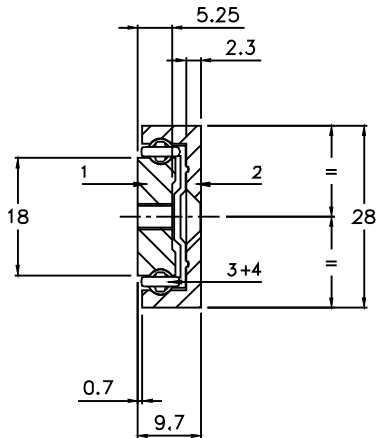


- PROFILE :



- MATERIAL

- 1 - Inner beam : Steel
- 2 - Outer beam : Steel
- 3 - Bearing $\varnothing 4$: Steel
- 4 - Ball retainer : Plastic

- SURFACE FINISH : Zinc plating

- WEIGHT : 1,3 Kg/m

- OPTIONS :

Different slide lengths, extension, surface finish,
 \varnothing and holes centres to customer's requirement.



WE RECOMMEND USE ON THE MAJOR AXIS.
 DO NOT DISMOUNT THE SLIDE !

Dimensions in mm

* Loads indicated for a pair of slides mounted on the major axis with evenly distributed load.

L	250	300	350	400	450	500	550	600	-	-	-	-	-	-	-	-
A	50	100	150	200	250	300	-	-	-	-	-	-	-	-	-	-
B	-	-	-	-	-	-	150	175	-	-	-	-	-	-	-	-
C	75	100	125	150	175	200	225	250	-	-	-	-	-	-	-	-
E	200	250	300	350	400	450	500	550	-	-	-	-	-	-	-	-
D	165	200	230	265	300	330	365	400	-	-	-	-	-	-	-	-
Load* (Kg)	65	60	55	50	48	45	43	40	-	-	-	-	-	-	-	-
Deflection (mm)	3	3	4	4	5	5	6	6	-	-	-	-	-	-	-	-

R28
 FT 028 - STEEL
 21.03.2006



BP 995 - 68 Bd Jules DURAND
 76061 LE HAVRE CEDEX - FRANCE
 Tel : +33 (0)2.35.24.62.80 - Fax : +33 (0)2.35.25.02.00
 info@chambrelan.com - www.chambrelan.com
 FILIALE : info@profilscope.de - www.profilscope.de

In a constant effort of improvement, the company reserves the right to modify its products without notice. No contractual information.