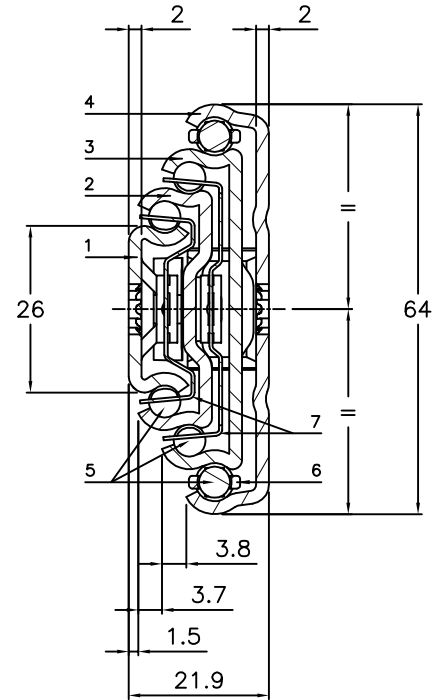


- PROFILE :



- MATERIAL

- 1 - Inner beam : Steel
- 2 - Intermediate beam : Steel
- 3 - Intermediate beam : Steel
- 4 - Outer beam : Steel
- 5 - Bearing $\varnothing 5 - \varnothing 6$: Steel
- 6 - Ball retainer : Plastic
- 7 - Ball cages : Steel
- 8 - End stop : Plastic

- SURFACE FINISH : Zinc plating

- WEIGHT : 3,8 Kg/m

- OPTIONS :

Different slide lengths, extension, surface finish, \varnothing and holes centres to customer's requirement.



WE RECOMMEND USE ON THE MAJOR AXIS.
DO NOT DISMOUNT THE SLIDE !

Dimensions in mm

* Loads indicated for a pair of slides mounted on the major axis with evenly distributed load.

L	250	300	350	400	450	500	550	600	650	700	750	800	-	-	-	-
A	150	200	-	-	-	-	-	-	-	-	-	-	-	-	-	-
B	-	-	125	150	175	200	225	250	275	300	325	350	-	-	-	-
$\varnothing 6,3$ F.90°	2	2	3	3	3	3	3	3	3	3	3	3	-	-	-	-
D	380	455	530	605	685	755	830	900	980	1055	1125	1205	-	-	-	-
Load* (Kg)	50	55	60	56	53	50	46	43	40	36	33	30	-	-	-	-
Deflection (mm)	3	3	4	4	5	5	6	6	7	7	8	8	-	-	-	-

RA414

FT 036 - STEEL

13.10.2009

CHAMBRELAN

www.chambrelian.com

BP 995 - 68 Bd Jules DURAND
76061 LE HAVRE CEDEX - FRANCE
Tel : +33 (0)2.35.24.62.80 - Fax : +33 (0)2.35.25.02.00
info@chambrelian.com - www.chambrelian.com

In a constant effort of improvement, the company reserves the right to modify it's products without notice. No contractual information.