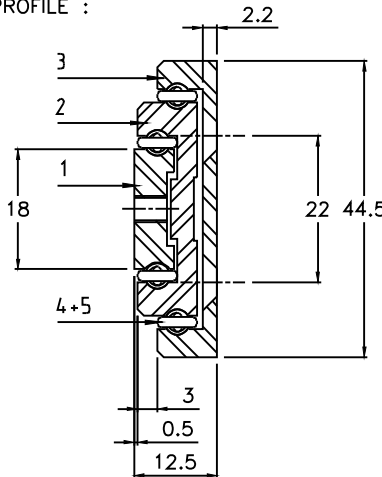


PROFILE :



MATERIAL

- 1 - Inner beam : AGS
- 2 - Intermediate beam: AGS
- 3 - Outer beam : AGS
- 4 - Bearing $\phi 4$: Steel
- 5 - Ball retainer : Plastic

SURFACE FINISH : Anodised

WEIGHT : 1 Kg/m

OPTIONS :

Different slide lengths, extension, surface finish, ϕ and holes centres to customer's requirement.

WE RECOMMEND USE ON THE MAJOR AXIS.
DO NOT DISMOUNT THE SLIDE !

Dimensions in mm

* Loads indicated for a pair of slides mounted on the major axis with evenly distributed load.

L	-	200	250	300	350	400	450	500	550	600	650	-	-	-	-
A	-	185	235	285	335	385	435	485	-	-	-	-	-	-	-
B	-	-	-	-	-	-	-	-	267,5	292,5	317,5	-	-	-	-
C	-	100	-	-	-	-	-	-	-	-	-	-	-	-	-
E	-	-	50	100	150	200	250	300	-	-	-	-	-	-	-
F	-	-	-	-	-	-	-	-	150	175	200	-	-	-	-
D	-	213	263	313	363	413	463	513	563	613	663	-	-	-	-
Load* (Kg)	-	60	57	55	53	50	48	45	43	40	38	-	-	-	-
Deflection (mm)	-	2	3	3	4	4	5	5	6	6	7	-	-	-	-

D444

FT 052 - AGS

06.11.2003

CHAMBRELAN
www.chambrelan.com

BP 995 - 68 Bd Jules DURAND
76061 LE HAVRE CEDEX - FRANCE
Tel : +33 (0)2.35.24.62.80 - Fax : +33 (0)2.35.25.02.00
info@chambrelan.com - www.chambrelan.com
FILIALE : info@profilscope.de - www.profilscope.de

In a constant effort of improvement, the company reserves the right to modify its products without notice. No contractual information.