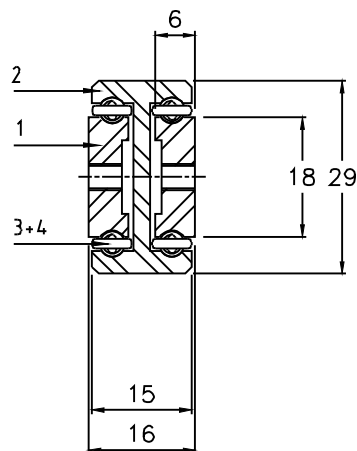


- PROFILE :



- MATERIAL

- 1 - Inner beam : AGS
- 2 - Outer beam : AGS
- 3 - Bearing $\varnothing 4$: Steel
- 4 - Ball retainer : Plastic

- SURFACE FINISH : Anodised

- WEIGHT : 0,9 Kg/m

- OPTIONS :

Different slide lengths, extension, surface finish,
 \varnothing and holes centres to customer's requirement.



WE RECOMMEND USE ON THE MAJOR AXIS.
 DO NOT DISMOUNT THE SLIDE !

Dimensions in mm

* Loads indicated for a pair of slides mounted on the major axis with evenly distributed load.

L	250	300	350	400	450	500	550	600	-	-	-	-	-	-	-
A	150	-	-	-	-	-	-	-	-	-	-	-	-	-	-
B	-	100	150	200	250	300	-	-	-	-	-	-	-	-	-
C	-	-	-	-	-	-	150	175	-	-	-	-	-	-	-
D	255	315	360	400	455	500	555	615	-	-	-	-	-	-	-
Load* (Kg)	43	40	38	35	33	30	28	25	-	-	-	-	-	-	-
Deflection (mm)	3	3	4	4	5	5	6	6	-	-	-	-	-	-	-

D1422

FT 055 - AGS

04.07.2002

CHAMBRELAN
www.chambreлан.com

BP 995 - 68 Bd Jules DURAND
 76061 LE HAVRE CEDEX - FRANCE
 Tel ; +33 (0)2.35.24.62.80 - Fax : +33 (0)2.35.25.02.00
 info@chambreлан.com - www.chambreлан.com
 FILIALE : info@profilscope.de - www.profilscope.de

In a constant effort of improvement, the company reserves the right to modify its products without notice. No contractual information.