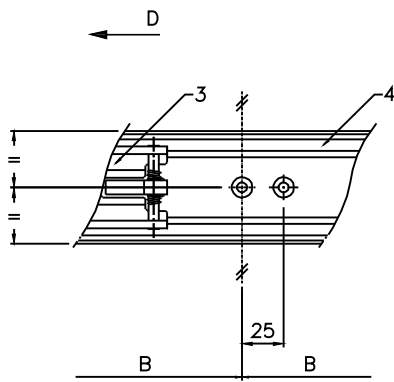
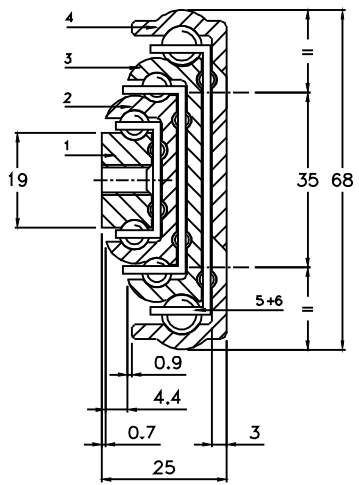


- PROFILE :



- MATERIAL :

- 1 - Inner beam : Steel
- 2 - Intermediate beam : Steel
- 3 - Intermediate beam : Steel
- 4 - Outer beam : Steel
- 5 - Bearing $\phi 6-\phi 8$: Steel
- 6 - Ball cages : Steel

- SURFACE FINISH : Zinc plating

- WEIGHT : 6 Kg/m

- OPTIONS :

Different slide lengths, extension, surface finish, ϕ and holes centres to customer's requirement.

WE RECOMMEND USE ON THE MAJOR AXIS.
DO NOT DISMOUNT THE SLIDE !

Dimensions in mm

* Loads indicated for a pair of slides mounted on the major axis with evenly distributed load.

L	300	350	400	450	500	550	600	650	700	750	800	-	-	-	-	-
A	285	335	385	435	485	-	-	-	-	-	-	-	-	-	-	-
B	-	-	-	-	-	267,5	292,5	317,5	342,5	367,5	392,5	-	-	-	-	-
C	150	200	-	-	-	-	-	-	-	-	-	-	-	-	-	-
E	-	-	200	250	300	-	-	-	-	-	-	-	-	-	-	-
F	-	-	-	-	-	150	175	200	225	250	275	-	-	-	-	-
G	-	-	-	-	-	200	225	250	275	300	325	-	-	-	-	-
D	470	540	630	700	770	840	930	1000	1070	1140	1230	-	-	-	-	-
Load* (Kg)	85	90	95	90	85	80	75	70	65	60	55	-	-	-	-	-
Deflection (mm)	3	4	4	5	5	6	6	7	7	8	8	-	-	-	-	-

RA554R V

FT 132 - STEEL

21.03.2006

CHAMBRELAN
www.chambreлан.com

BP 995 - 68 Bd Jules DURAND
76061 LE HAVRE CEDEX - FRANCE
Tel : +33 (0)2.35.24.62.80 - Fax : +33 (0)2.35.25.02.00
info@chambreлан.com - www.chambreлан.com
FILIALE : info@profilscope.de - www.profilscope.de

In a constant effort of improvement, the company reserves the right to modify its products without notice. No contractual information.