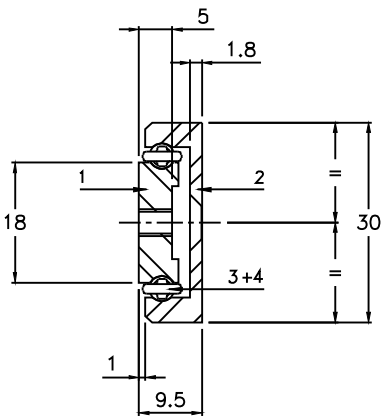


- PROFILE :



- MATERIAL :  
 1 - Inner beam : AGS  
 2 - Outer beam : AGS  
 3 - Bearing  $\phi 4$  : Steel  
 4 - Ball retainer : Plastic

- SURFACE FINISH : Anodised

- WEIGHT : 0,5 Kg/m

- OPTIONS :  
 Different slide lengths, extension, surface finish,  
 $\phi$  and holes centres to customer's requirement.

WE RECOMMEND USE ON THE MAJOR AXIS.  
 DO NOT DISMOUNT THE SLIDE !

Dimensions in mm

\* Loads indicated for a pair of slides mounted on the major axis with evenly distributed load.

L	200	250	300	350	400	450	500	550	600	-	-	-	-	-	-
A	100	150	-	-	-	-	-	-	-	-	-	-	-	-	-
B	-	-	100	150	200	250	300	-	-	-	-	-	-	-	-
C	-	-	-	-	-	-	-	150	175	-	-	-	-	-	-
E	-	-	-	-	-	-	-	200	225	-	-	-	-	-	-
F	-	-	-	125	150	175	200	225	250	-	-	-	-	-	-
G	150	200	250	300	350	400	450	500	550	-	-	-	-	-	-
D	120	160	180	230	280	300	330	350	400	-	-	-	-	-	-
Load* (Kg)	15	25	50	45	40	32	25	18	15	-	-	-	-	-	-
Deflection (mm)	2	3	3	4	4	5	5	6	6	-	-	-	-	-	-

D402V  
 FT 151 - AGS  
 21.06.2002

**CHAMBRELAN**  
 www.chambreлан.com

BP 995 - 68 Bd Jules DURAND  
 76061 LE HAVRE CEDEX - FRANCE  
 Tel : +33 (0)2.35.24.62.80 - Fax : +33 (0)2.35.25.02.00  
 info@chambreлан.com - www.chambreлан.com  
 FILIALE : info@profilscope.de - www.profilscope.de

In a constant effort of improvement, the company reserves the right to modify its products without notice. No contractual information.