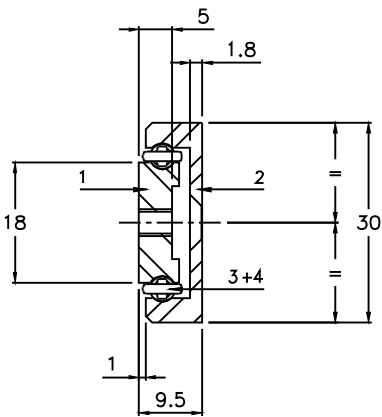


- PROFILE :



- MATERIAL :
- 1 - Inner beam : AGS
- 2 - Outer beam : AGS
- 3 - Bearing $\varnothing 4$: Steel
- 4 - Ball retainer : Plastic
- SURFACE FINISH : Anodised
- WEIGHT : 0,5 Kg/m
- OPTIONS :

Different slide lengths, extension, surface finish,
 \varnothing and holes centres to customer's requirement.

WE RECOMMEND USE ON THE MAJOR AXIS.
 DO NOT DISMOUNT THE SLIDE !

Dimensions in mm

* Loads indicated for a pair of slides mounted on the major axis with evenly distributed load.

L	150	200	250	300	350	400	450	500	550	600	-	-	-	-	-
A	50	100	-	-	-	-	-	-	-	-	-	-	-	-	-
B	-	-	50	100	150	200	250	300	-	-	-	-	-	-	-
C	-	-	-	-	-	-	-	-	150	175	-	-	-	-	-
E	-	-	-	-	125	150	175	200	225	250	-	-	-	-	-
F	100	150	200	250	300	350	400	450	500	550	-	-	-	-	-
D	70	120	160	180	230	280	300	330	350	400	-	-	-	-	-
Load* (Kg)	7	15	25	50	45	40	32	25	18	15	-	-	-	-	-
Deflection (mm)	2	2	3	3	4	4	5	5	6	6	-	-	-	-	-

D402F

FT 251 - AGS

21.06.2002

CHAMBRELAN
 www.chambrelan.com

BP 995 - 68 Bd Jules DURAND
 76061 LE HAVRE CEDEX - FRANCE
 Tel : +33 (0)2.35.24.62.80 - Fax : +33 (0)2.35.25.02.00
 info@chambrelan.com - www.chambrelan.com
 FILIALE : info@profilscope.de - www.profilscope.de

In a constant effort of improvement, the company reserves the right to modify its products without notice. No contractual information.