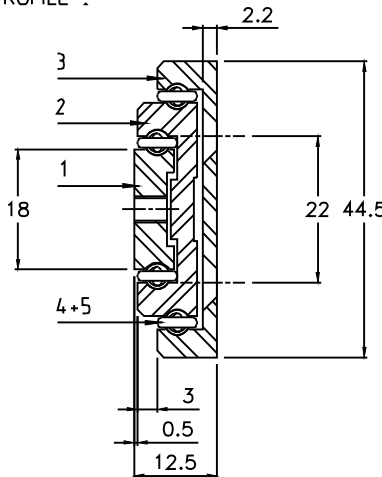


- PROFILE :



- MATERIAL :
- 1 - Inner beam : AGS
 - 2 - Intermediate beam: AGS
 - 3 - Outer beam : AGS
 - 4 - Bearing $\phi 4$: Steel
 - 5 - Ball retainer : Plastic

- SURFACE FINISH : Anodised

- WEIGHT : 1 Kg/m

- OPTIONS :

Different slide lengths, extension, surface finish,
 ϕ and holes centres to customer's requirement.

WE RECOMMEND USE ON THE MAJOR AXIS.
 DO NOT DISMOUNT THE SLIDE !

Dimensions in mm

* Loads indicated for a pair of slides mounted on the major axis with evenly distributed load.

L	-	200	250	300	350	400	450	500	550	600	650	-	-	-	-
A	-	185	235	285	335	385	435	485	-	-	-	-	-	-	-
B	-	-	-	-	-	-	-	-	267,5	292,5	317,5	-	-	-	-
C	-	100	150	-	-	-	-	-	-	-	-	-	-	-	-
E	-	-	-	100	150	200	250	300	350	400	450	-	-	-	-
D	-	213	263	313	363	413	463	513	563	613	663	-	-	-	-
Load* (Kg)	-	60	57	55	53	50	48	45	43	40	38	-	-	-	-
Deflection (mm)	-	2	3	3	4	4	5	5	6	6	7	-	-	-	-

D444VF - AGS

FT 352

06.11.2003

CHAMBRELAN
 www.chambreлан.com

BP 995 - 68 Bd Jules DURAND
 76061 LE HAVRE CEDEX - FRANCE
 Tel : +33 (0)2.35.24.62.80 - Fax : +33 (0)2.35.25.02.00
 info@chambreлан.com - www.chambreлан.com
 FILIALE : info@profilscope.de - www.profilscope.de

In a constant effort of improvement, the company reserves the right to modify its products without notice. No contractual information.